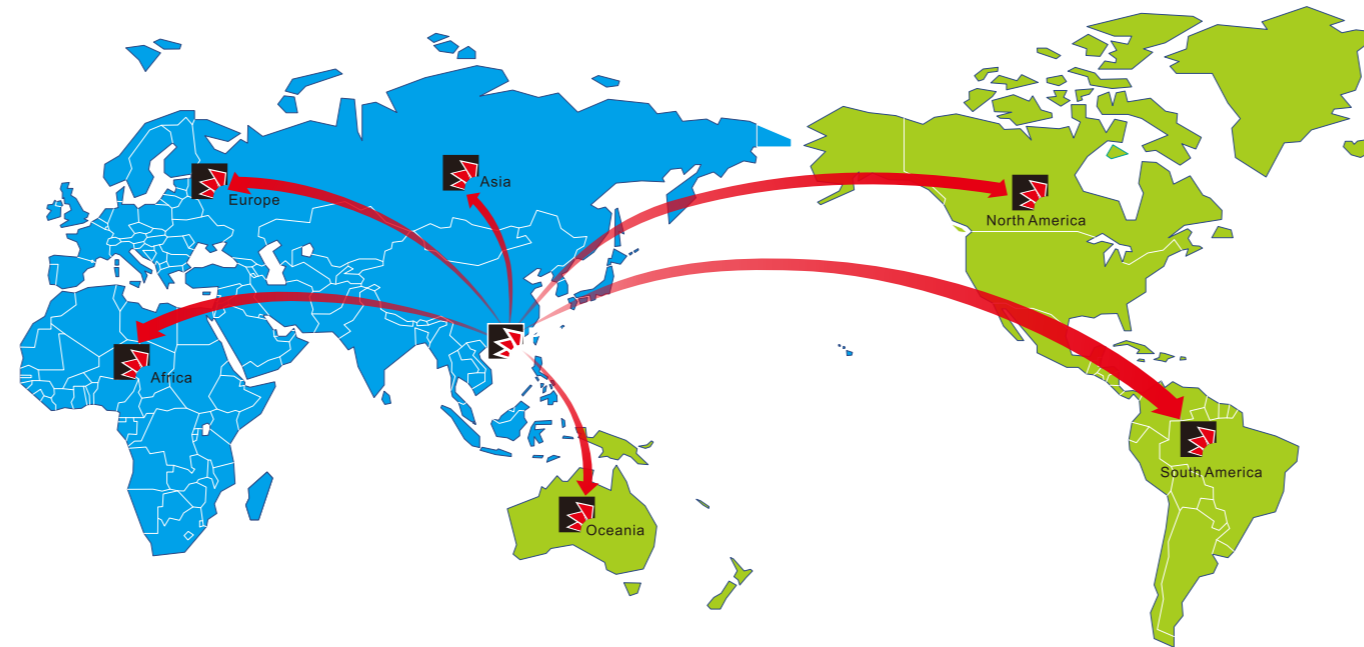


Specification and size

Brake unit model	Brake voltage (V)	Braking current (A)	Braking resistor (Ω)	number	Inverter power (kW)	
PB200-035-2	350	35	≥10Ω/2kW	1	15	
PB200-050-2		50	≥8Ω/2kW	1	18.5	
PB200-050-2				≥8Ω/3kW	1	22
PB200-075-2		75	≥6Ω/3kW	1	30	
PB200-100-2		100		≥4Ω/4kW	1	37
PB200-100-2				≥4Ω/5kW	1	45
PB200-100-2				≥4Ω/6kW	1	55
PB200-100-2				≥4Ω/4kW	2	75
PB200-100-2				≥4Ω/5kW	2	93
PB200-100-2				≥4Ω/4kW	3	110
PB200-100-2			≥4Ω/5kW	3	132	
PB200-100-2			≥4Ω/6kW	3	160	
PB200-035-3	670	35	≥30Ω/2kW	1	18.5	
PB200-035-3			≥25Ω/3kW	1	22	
PB200-050-3		50	≥18Ω/4kW	1	30	
PB200-050-3			≥15Ω/4kW	1	37	
PB200-050-3			≥15Ω/5kW	1	45	
PB200-075-3		75	≥11Ω/6kW	1	55	
PB200-100-3		100	≥8Ω/8kW	1	75	
PB200-100-3			≥8Ω/10kW	1	93	
PB200-075-3		75		≥11Ω/6kW	2	110
PB200-075-3				≥11Ω/7kW	2	132
PB200-100-3		100		≥8Ω/9kW	2	160
PB200-100-3				≥8Ω/10kW	2	187
PB200-100-3				≥8Ω/11kW	2	200
PB200-100-3				≥8Ω/8kW	3	220
PB200-100-3				≥8Ω/9kW	3	250
PB200-100-3				≥8Ω/10kW	3	280
PB200-035-4		760	35	≥35Ω/2kW	1	18.5
PB200-035-4					≥30Ω/3kW	1
PB200-035-4				≥25Ω/4kW	1	30
PB200-050-4	50			≥17Ω/4kW	1	37
PB200-050-4				≥17Ω/5kW	1	45
PB200-075-4	75			≥13Ω/6kW	1	55
PB200-075-4				≥13Ω/8kW	1	75
PB200-100-4	100			≥9Ω/9kW	1	93
PB200-100-4				≥9Ω/12kW	1	110
PB200-075-4			75		≥13Ω/7kW	2
PB200-100-4				≥9Ω/9kW	2	160
PB200-100-4	100			≥9Ω/10kW	2	187
PB200-100-4				≥9Ω/11kW	2	200
PB200-100-4				≥9Ω/12kW	2	220
PB200-100-4				≥9Ω/9kW	3	250
PB200-100-4				≥9Ω/10kW	3	280
PB200-100-4				≥9Ω/11kW	3	315

Service Network:



201811ED1.0

Powtran technology

A manufacturer of motor control intelligent products and devices based on motor design.

Contact

Dalian Powtran Technology Co., Ltd.

Address: No. 11 Renxian Street, Qixianling, Hitech Industrial Zone, Dalian, China (116023)
 Tel: 0411-84820088 84821133
 Fax: 0411-84821978 84821878
 Email: info@powtran.com
 Website: www.powtran.com

Dalian. Powtran Technology coLtd. Shenzhen Branch.

Address: No. 75 Baomin 2nd Road, Xixiang Town, Baoan District, Shenzhen, China (510101)
 Tel: 0086755-29630738
 Fax: 0086755-29666485
 Email: info@powtran.com
 Website: www.powtran.com



Hotline: 086-755-29630738

Content changes due to continuous upgrade of our products are subject to change without notice. Copyright © Dalian Powtran Technology Co., Ltd.



PB200 series
BRAKING UNIT



www.powtran.com

Product orientation

PB200 braking units is a newly designed inverter-controlled motor that adopts advanced design concept. Added keyboard function, excellent control performance and high reliability, easy to read and set various parameters; The hardware and software functions have been redesigned, and the function of current sampling has been added. It has protection functions such as overcurrent, overload, short circuit, and IGBT saturation. The operation is reliable and stable. voltage tracking braking for smoother braking : forced air cooling, independent air duct design, and external maintenance of the fan;It has a master-slave function, which is convenient for multiple brake units to be used in parallel.



Technical specification



- LED display, it can be controlled at any time to view DC bus voltage, power module temperature, main and slave units, DC peak current and other parameters
- Reliable multiple protection, the brake unit provides overcurrent short circuit and overheat protection for fast and effective fault protection;
- When multiple online operations are selected, for online use, the online socket for online use is provided on the operation panel, and the standard online interface cable is provided as standard.
- Brake enable control, this function protects the brake unit and prevents the brake unit from malfunctioning due to excessive grid voltage;
- Relay Fault output function
- Complete protection : over-current ,overheat and short circuit

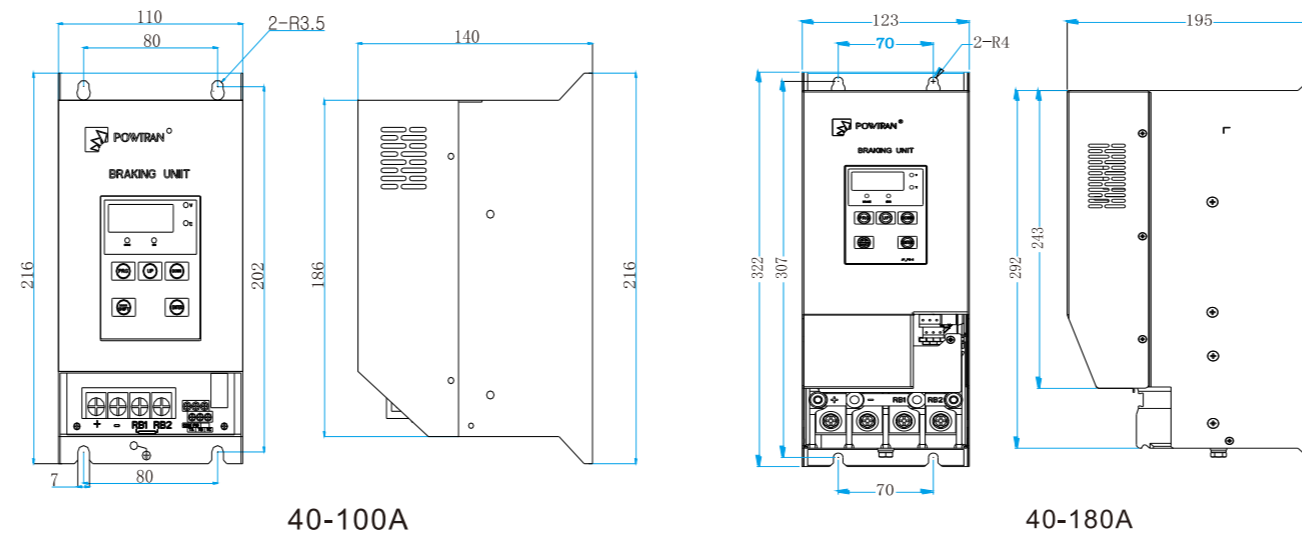
Power range

Complete specifications 200V/380V/440V/480V
Can be used in parallel, no capacity constraints, a single 0.75- 30KW/37- 55KW/75- 110KW(400V)

Application

Widely application, Such as: Cargo lift, lifting, production machinery, mine hoists, centrifuges, oil field pumping units, etc.

Installation dimensions



Instructions on nameplate

Brake unit model	MODEL	PB200-100-3
Input DC voltage standard	INPUT	DC 300~800V
Maximum continuous braking current	OUTPUT	0~100A

Series code: PB200 series

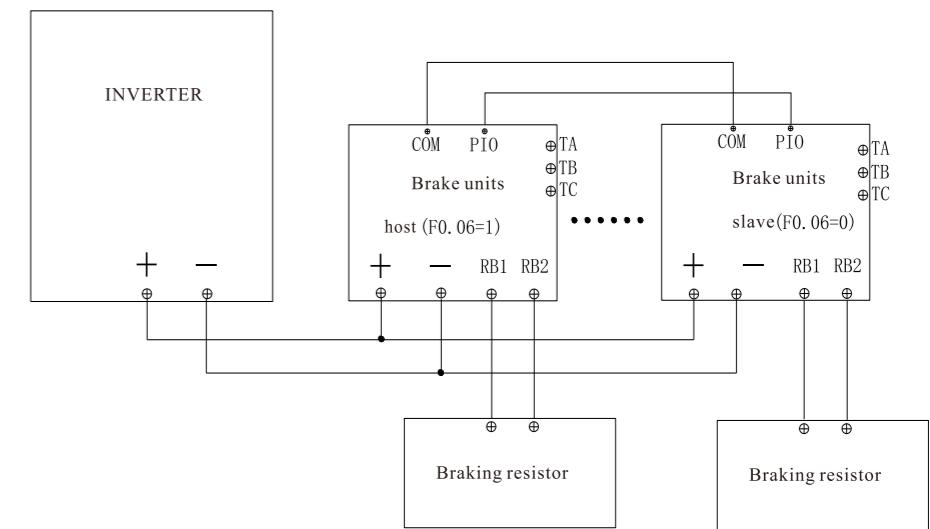
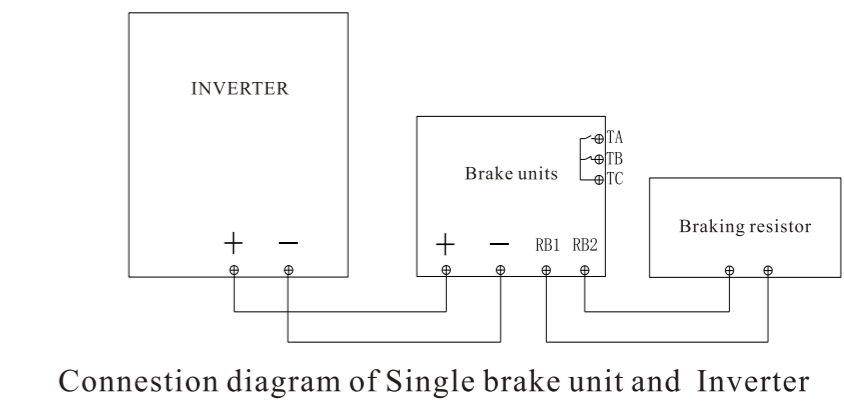
Input voltage grade:
2: 220VAC
3: 380VAC
4: 480VAC

Maximum continuous:
100: 100A
035: 35A

The brake unit sketch



Connection diagram



Ambient condition

- Ambient temperature -10°C~50°C. more than 40°C, according more than 1°C ,proportion of 3% derating. not suggest more than 50°C
- Prevent electromagnetic interference, faraway from disturbance sources
- Prevent dropping dust, powder, cotton fiber or fine metal powder from entering it
- Prevent oil, salt and corrosive gas from entering it.
- Avoid vibration
- Avoid high temperature and moisture and avoid being wetted due to raining, with the humidity below 90%RH (not dewing)
- Prohibit the use in the dangerous environment where inflammable or combustible or explosive gas, liquid or solid exists
- Brake unit can not installation near Air inlet.
- Hanging Brake unit should be installed inside the house where is ventilative.